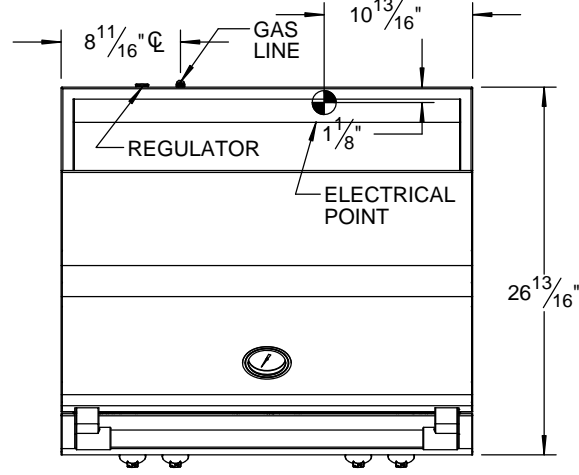
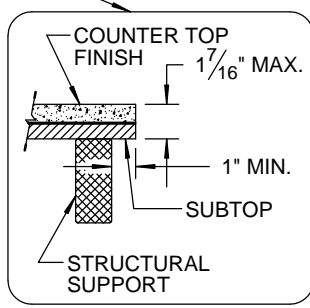
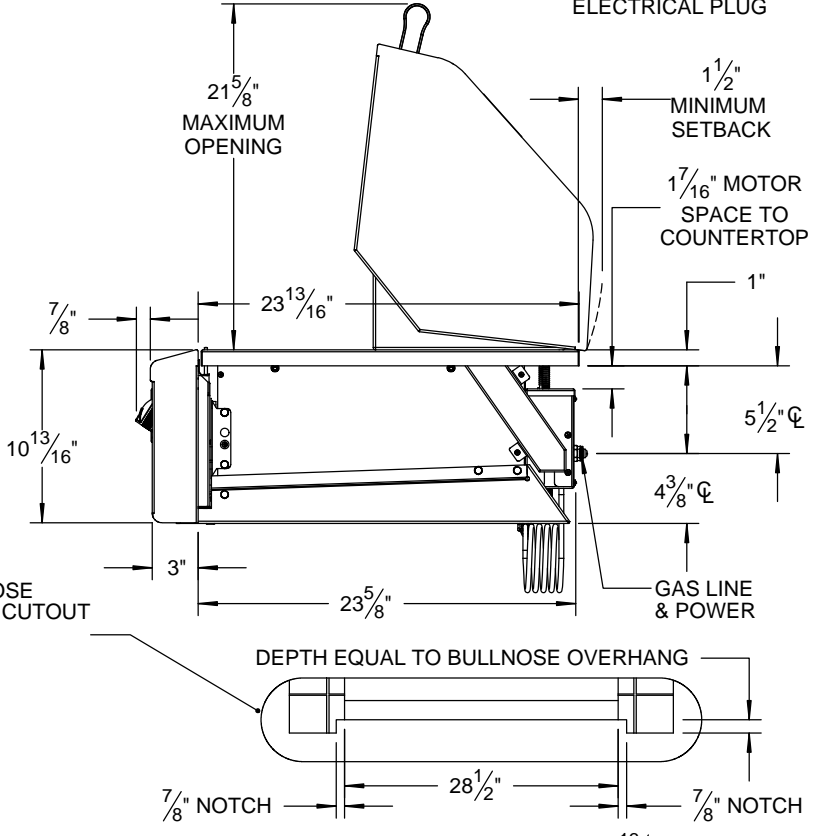
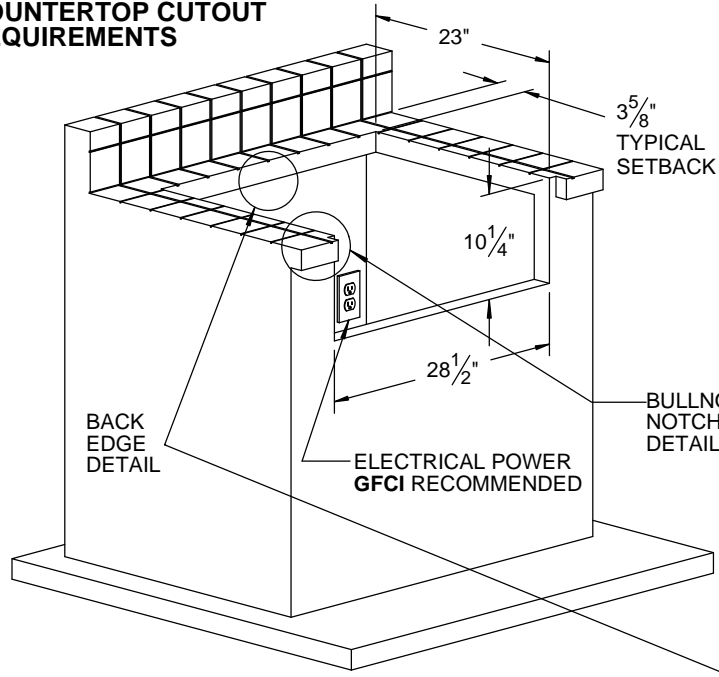


UNIT SUPPLIED WITH
8 FT. NEMA 5-15
ELECTRICAL PLUG

**COUNTERTOP CUTOUT
REQUIREMENTS**



- NOTE:**
- CUTOUT SHOWN FOR NON - COMBUSTIBLE CONSTRUCTION ONLY. OTHERWISE USE OF AIJ-30 INSULATING JACKET IS REQUIRED.
 - COUNTER MUST HAVE PROPER GAS AND POWER SUPPLIES FOR YOUR ALFRESCO BBQ.

SPECIFICATIONS:

BTUH = 77,000
 FUEL = NG @ 5 W.C. OR LP @ 10 W.C.
 ELECTRICAL POWER = 115 VAC / 1.44 AMPS / 60 Hz.
 GAS CONNECTION = 1/2" NPT (NG) OR 3/8" ODF (LP)