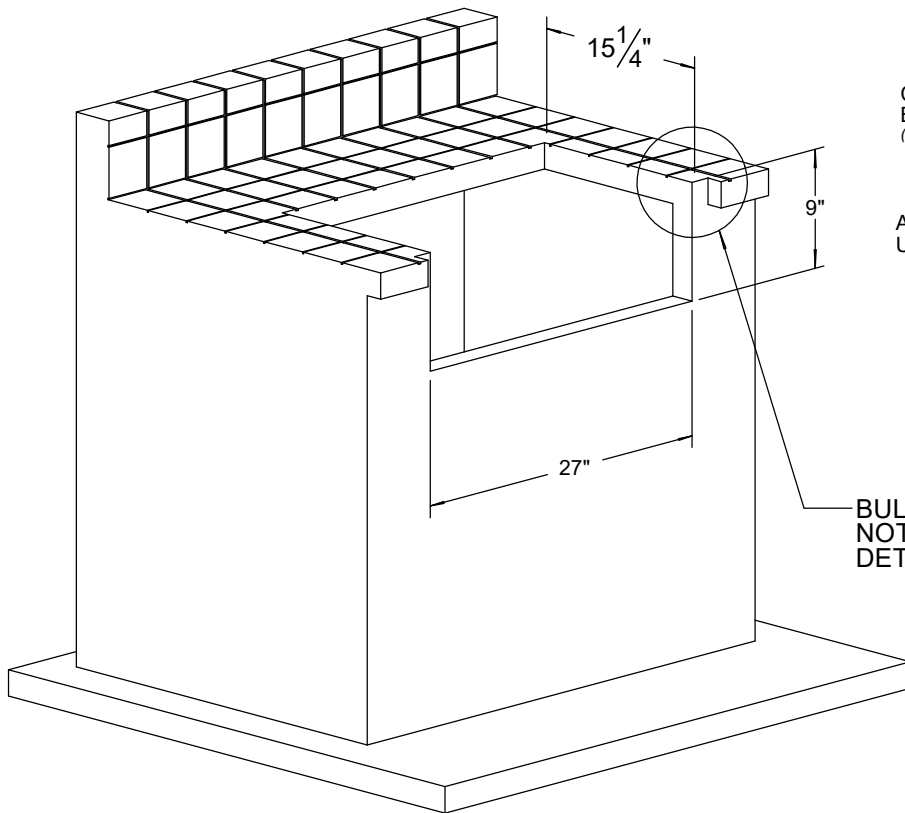
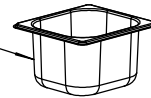


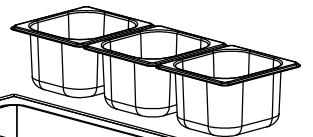
COUNTERTOP CUTOUT REQUIREMENTS



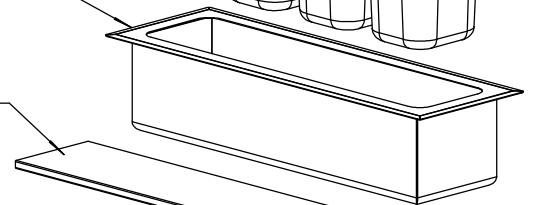
(4) 1/6 x 4" DEEP FOOD PANS (INCLUDED)



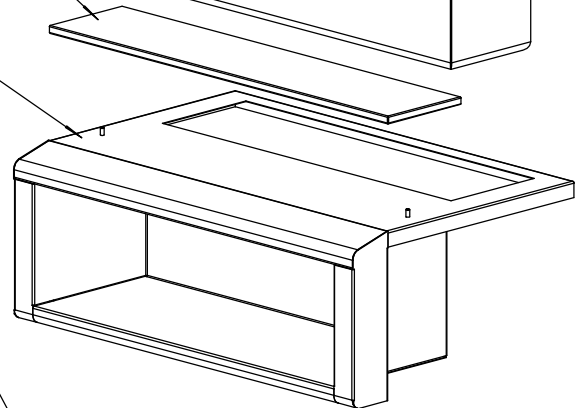
REMOVABLE FOOD WELL (INCLUDED)



CUTTING BOARD (INCLUDED)



APS-30P UNIT



DEPTH EQUAL TO BULLNOSE OVERHANG

