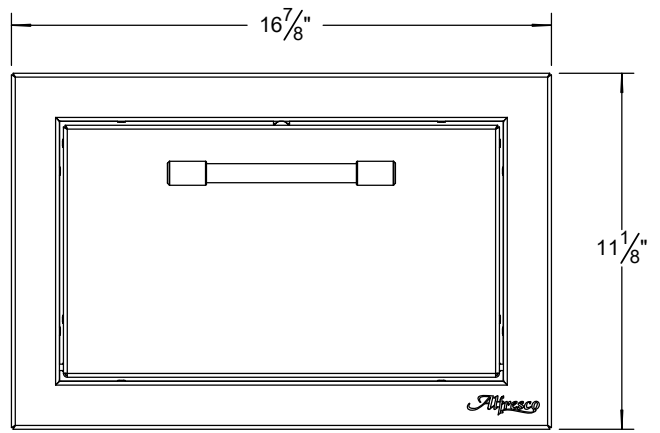
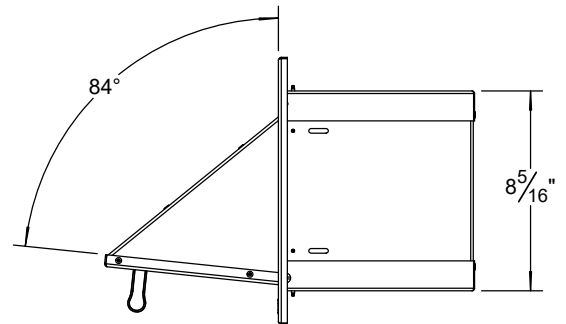
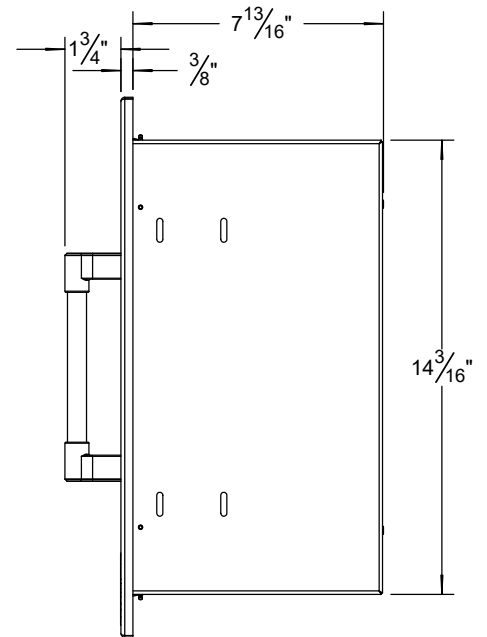
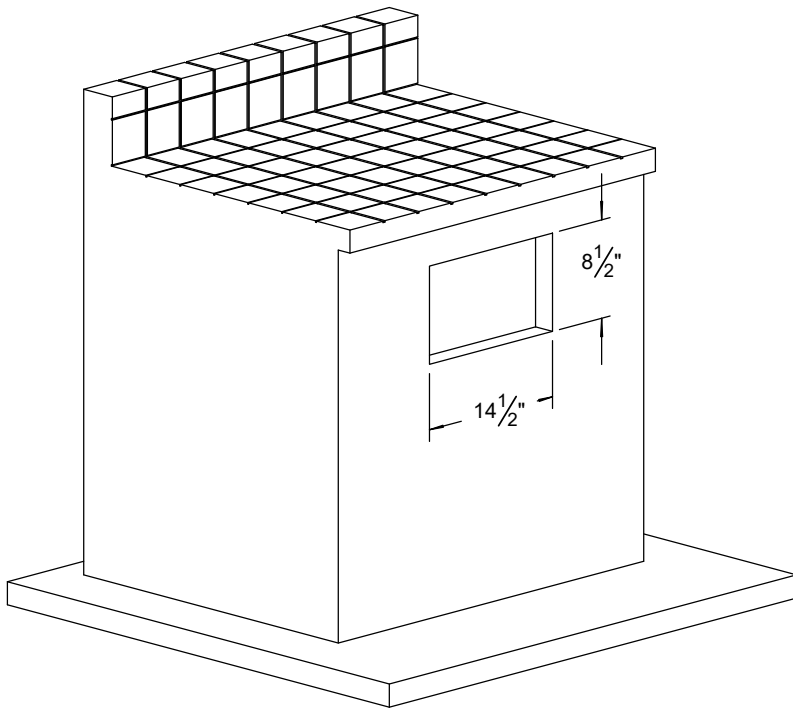


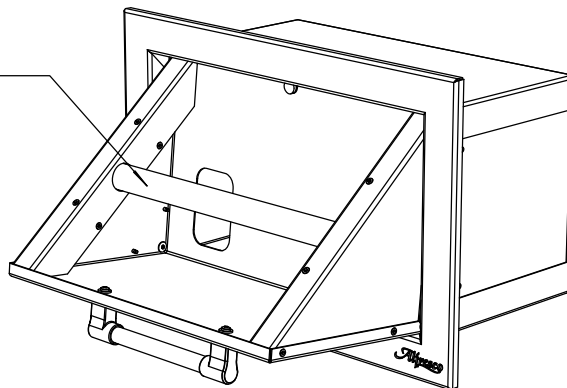
AXE-TH TOWEL HOLDER TYPICAL INSTALLATION



COUNTER FRONT CUTOUT REQUIREMENTS



**SPRING LOADED
SEALED STAINLESS
HARDWARE
(INCLUDED)**



Alfresco

THE INFORMATION CONTAINED IN THIS DRAWING IS THE SOLE PROPERTY OF SUPERIOR EQUIPMENT SOLUTIONS INC. ANY REPRODUCTION IN PART OR AS A WHOLE WITHOUT WRITTEN PERMISSION FROM SUPERIOR EQUIPMENT SOLUTIONS, INC. IS PROHIBITED.

PROJECT TITLE:

AXE-TH

DRAWING NO.:

AXE-TH - SPEC SHEET

DRAWING TITLE:

**DRAWN BY: JORGE PELAYO
CREATED: 8/24/2015**

AXE-TH - TOWEL HOLDER SPECIFICATIONS

SHEET 1 OF 1

SUPERIOR EQUIPMENT SOLUTIONS
1085 Bixby Drive, Industry, CA 91745