



LCB2-3 INSTALLATION INSTRUCTIONS

TOOLS REQUIRED: 7/16 Wrench
CONTENTS OF KIT: An adjustable side burner mounting bracket Side shelf mounting bracket with 7/16 fasteners Decorative cover for the L27 and L36 models.
The side burner support bracket comes preassembled for the L27 and L36.

INSTRUCTIONS FOR MODELS L36 and L27:

1. Remove back panel. (Fig 1)
2. While holding the side shelf, remove back bracket and shelf. Once shelf is removed, reattach the back bracket. (Fig 2)
3. Mount the LCB2-3 side burner to the supports (Fig. 3)
4. If needed, any misalignment can be corrected by first measuring the amount of misalignment and then loosening the bracket support fasteners. Raise or lower the bracket according to your measurements. Tighten the fasteners. (Fig 4)
5. Hang the side shelf which was removed in step 1 on the right side shelf support pins of the side burner (Fig. 6, pg. 2)

Fig. 1

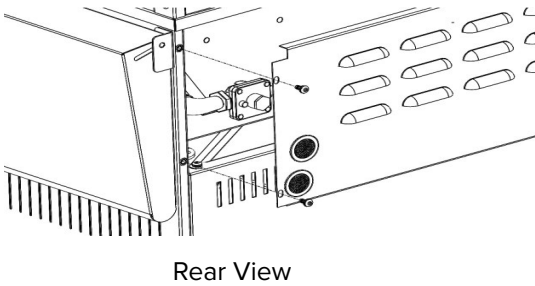


Fig. 2

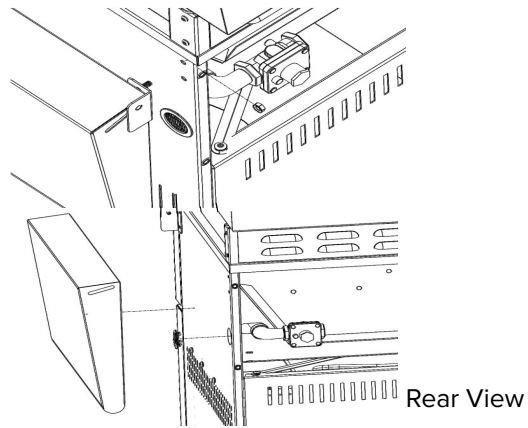


Fig. 3

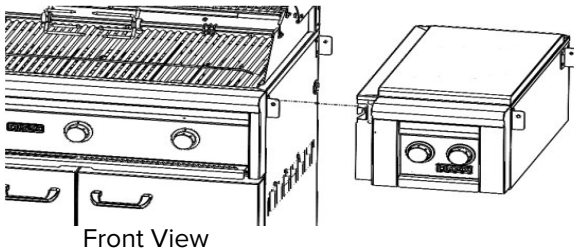
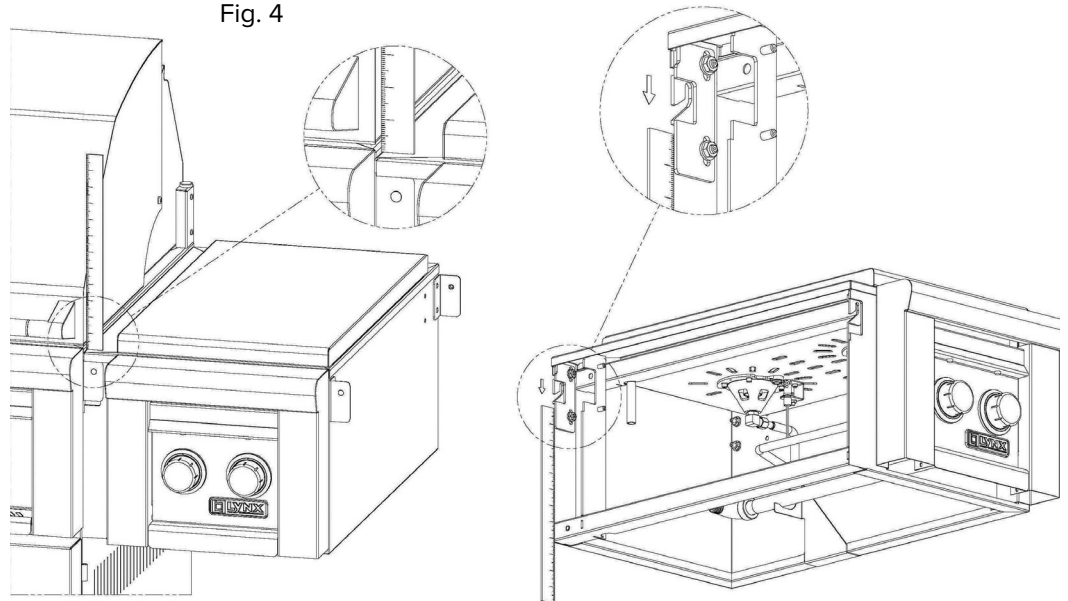


Fig. 4



INSTRUCTIONS FOR MODELS L54, L42, L30:

1. Remove the right hand side shelf. (See Fig.1 on previous page)
2. At the rear, remove the decorative cover (1) on the left hand side of the LCB2-3 by removing the Philips head screw and sliding it out. This also gives access to the gas piping connections. (Fig. 5)
3. Locate the mounting bracket on the inner most bracket support (Fig 6). Remove the 7/16 fasteners holding it in place. Reinstall the mounting bracket on the rear most bracket support and secure it with the 7/16 fasteners
4. Mount the LCB2-3 side burner to the supports (Fig. 3 on previous page)
5. As in step 4 on page 1, correct any misalignment in the shelf
6. Move the shelf mounting bracket on the right hand side to the outermost mounting holes using the 7/16 nuts, and tighten. (Fig. 7)
7. Hang the side shelf removed in step 1, pg. 1 to the right side of side burner on the shelf mounting bracket pins (Fig 8)

Fig. 5

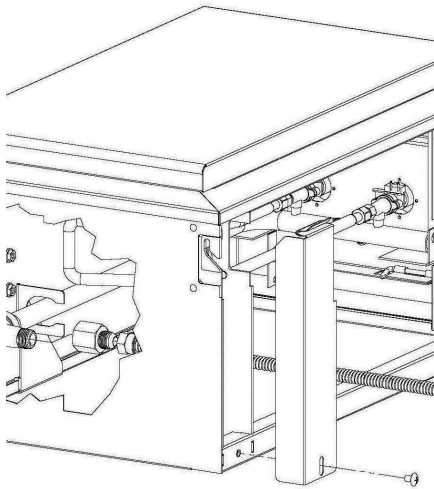


Fig. 6

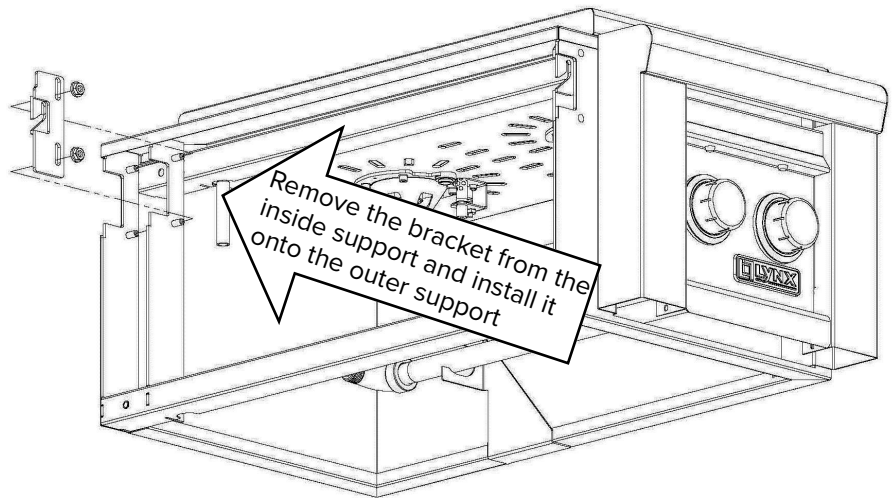


Fig. 7

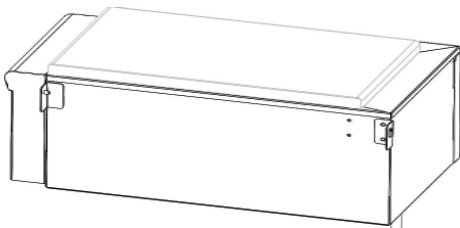
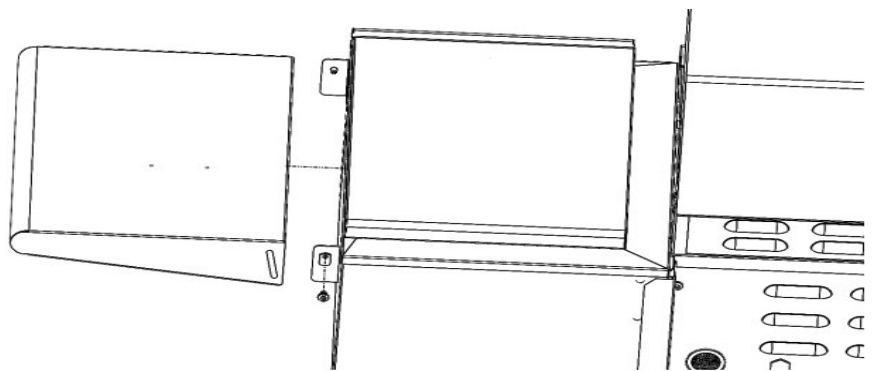


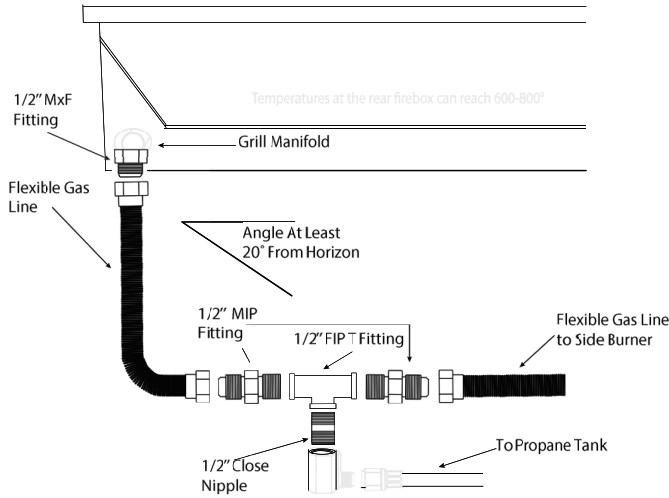
Fig. 8



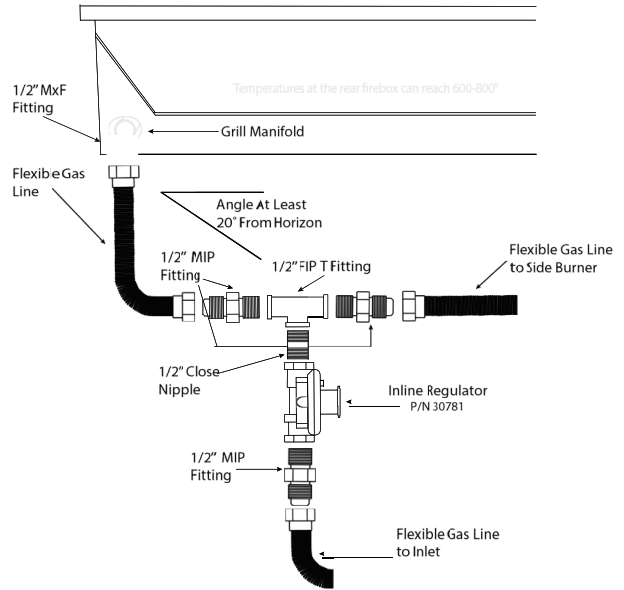
Once the side burner is mounted to the grill the gas connections can be made. Refer to the illustrations on the below for proper gas installation examples.

After the side burner gas connections are made it is recommended that a leak test be done on all gas line fittings. Apply a soap and water solution to all connections and look for bubbles to form which indicate a gas leak. If no bubbles are present, make the electrical connections.

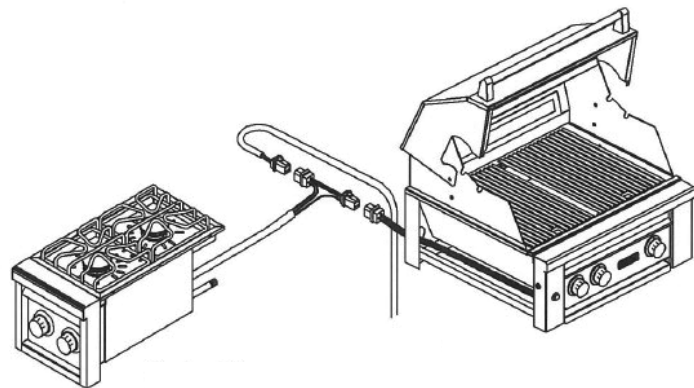
LP/PROPANE



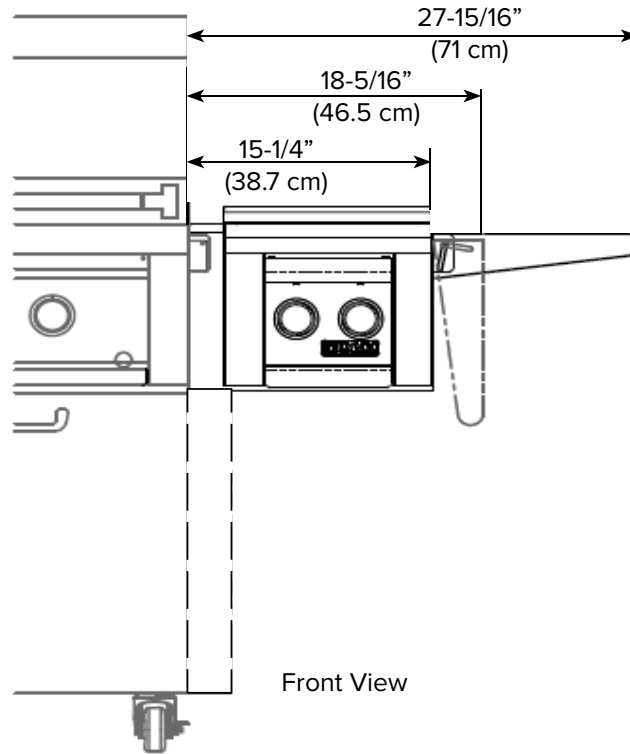
NATURAL



The side burner is electrically connected to grill at the transformer. Disconnect the transformer from the grill and plug in the side burner as shown in the illustration.



FINISHED DIMENSIONS



Lynx Grills
62201 Hwy 82 West
Greenwood, Mississippi 38930 USA
888-289-5969
www.lynxgrills.com