



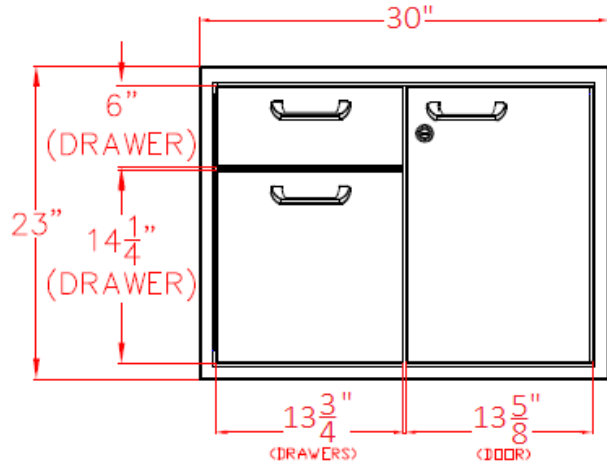
LYNX STORAGE ACCESSORY  
 MODELS: LSA30, LSA36, & LSA42

Lynx Storage Accessory

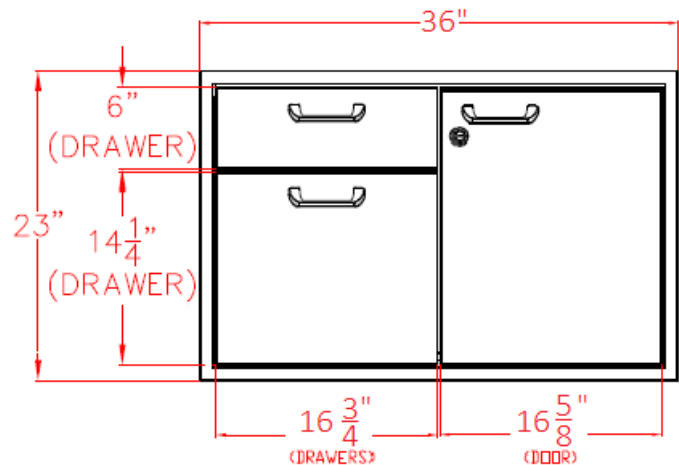
Model No.: LSA30, LSA36 & LSA42

Introduction:

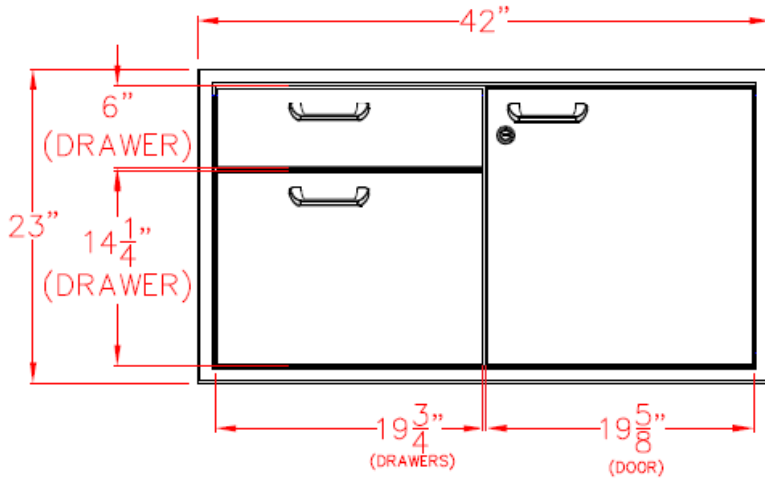
This storage accessory is designed with interior lighting, and locking doors. The stainless steel body is rigidly constructed and has professionally polished solid stainless steel handles.



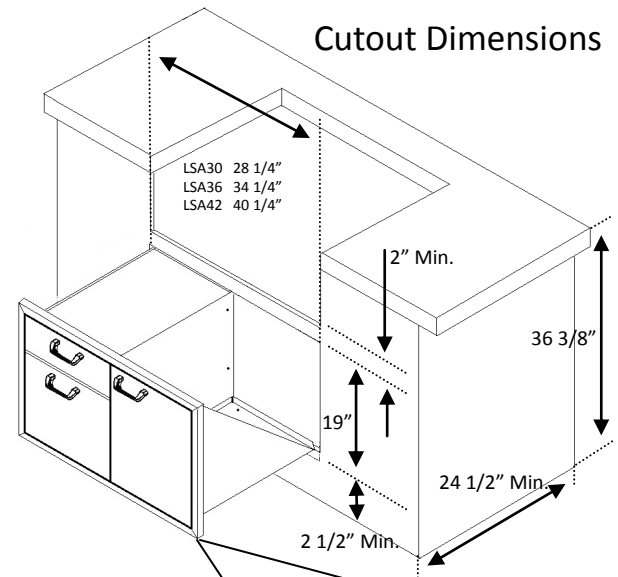
FRONT VIEW



FRONT VIEW

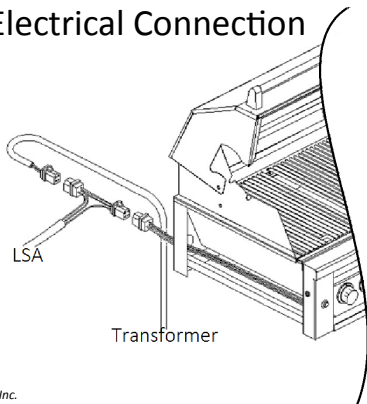


FRONT VIEW



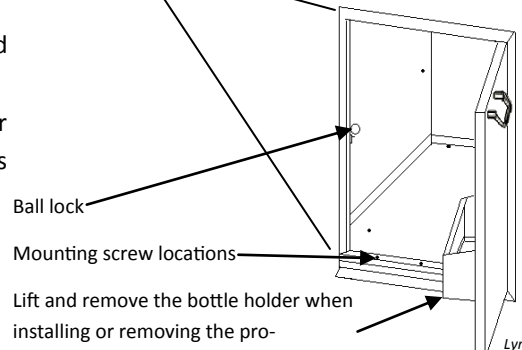
Cutout Dimensions

Electrical Connection



The drawers are 22" deep and accommodate everything from oversized tools to towels. The sliding drawers are removable, self closing and fully lined for cleanliness. The key locked door includes an easily removable condiment shelf.

Each drawer has an independent ball lock. Lift the ball and tighten for operation - lower for lock.



Ball lock  
 Mounting screw locations  
 Lift and remove the bottle holder when installing or removing the pro-